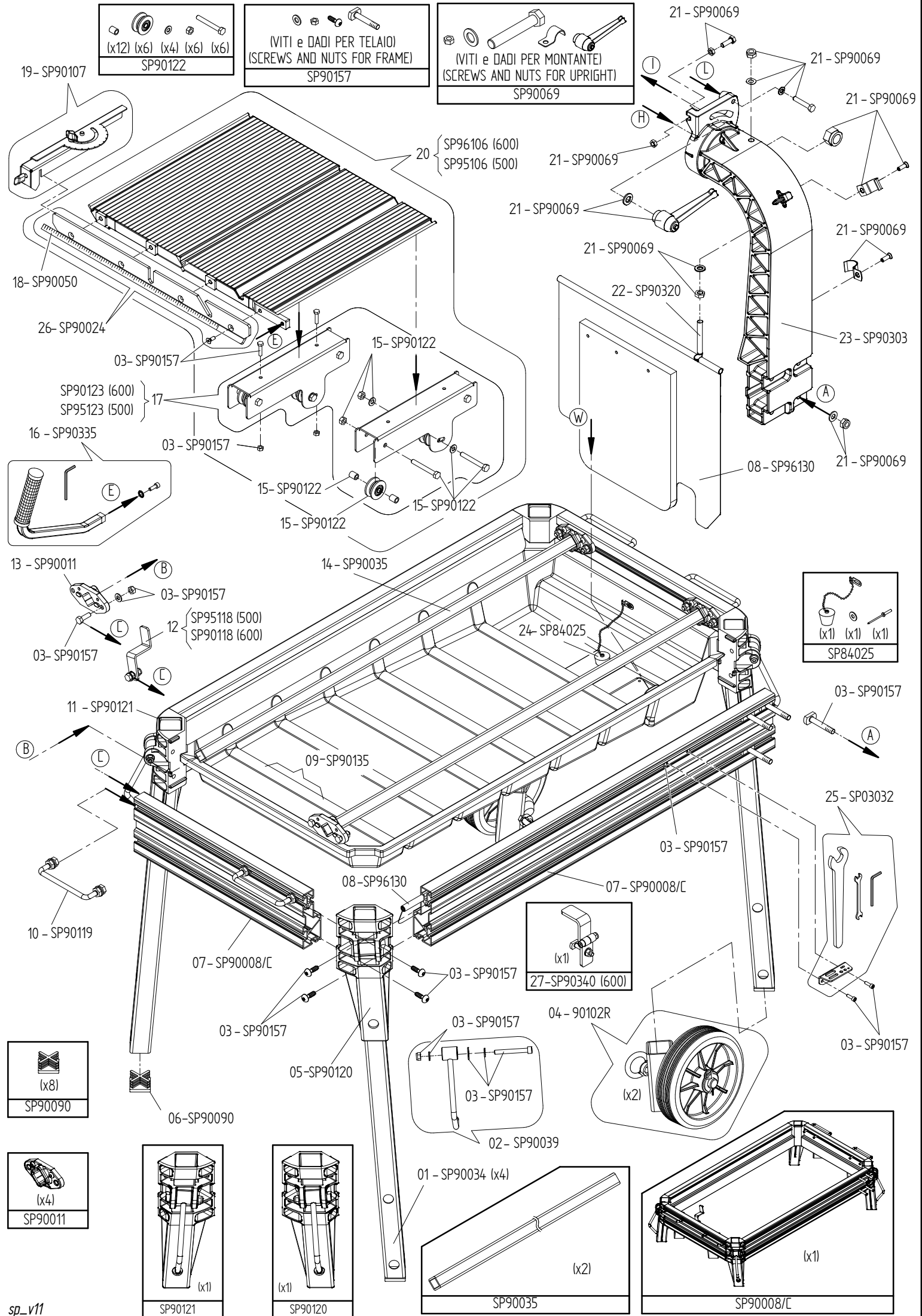


(x12) (x6) (x4) (x6) (x6)
SP90122

(VITI e DADI PER TELAIO)
(SCREWS AND NUTS FOR FRAME)
SP90157

(VITI e DADI PER MONTANTE)
(SCREWS AND NUTS FOR UPRIGHT)
SP90069



21 - SP90069

19 - SP90107

20 { SP96106 (600)
SP95106 (500)

(x1) (x1) (x1)
SP84025

18 - SP90050

26 - SP90024

SP90123 (600)
SP95123 (500)

16 - SP90335

(E)

03 - SP90157

03 - SP90157

15 - SP90122

15 - SP90122

14 - SP90035

13 - SP90011

03 - SP90157

12 { SP95118 (500)
SP90118 (600)

03 - SP90157

11 - SP90121

09 - SP90135

24 - SP84025

03 - SP90157

(A)

25 - SP03032

03 - SP90157

03 - SP90157

(x8)
SP90090

06 - SP90090

(x4)
SP90011

(x1)
SP90121

(x1)
SP90120

03 - SP90157

02 - SP90039

01 - SP90034 (x4)

(x2)
SP90035

(x1)
27 - SP90340 (600)

04 - 90102R

(x2)

(x1)
SP90008/C

