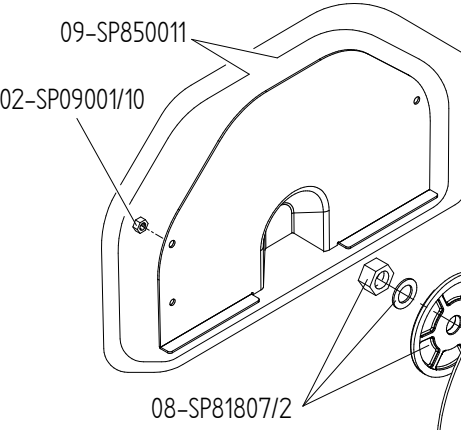
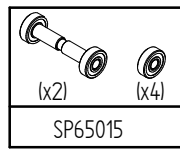
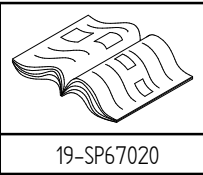


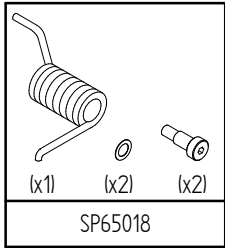
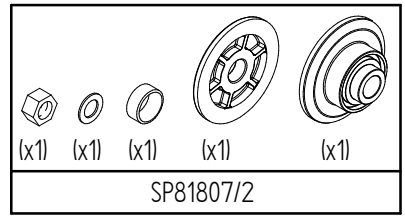
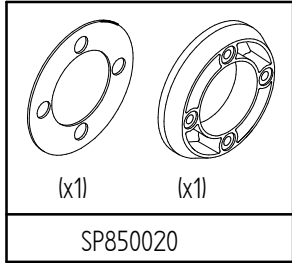
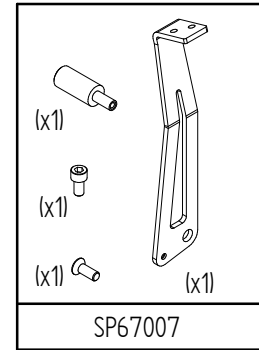
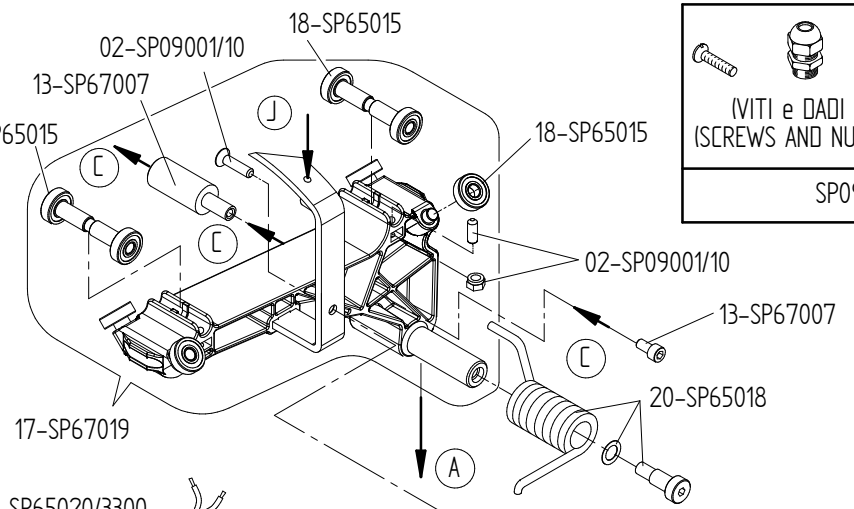
(VITI e DADI PER TESTA MOTORE)
(SCREWS AND NUTS FOR POWER PLANT)

SP09001/10



12-SP850022/870C

13-SP67007



02-SP09001/10

06-SP850065

05-SP850021

04-SP850020

02-SP09001/10

03-SP856033

02-SP09001/10

01-SP850024

08-SP81807/2

04-SP850020

14-SP850054

02-SP09001/10

02-SP09001/10

02-SP09001/10

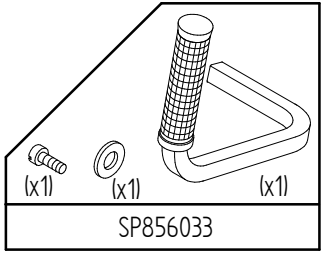
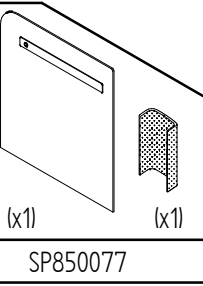
02-SP09001/10

02-SP09001/10

02-SP09001/10

22-SP05071/7S

02-SP09001/10



23-SP67015/1

02-SP09001/10