

16-SP90235

(x1) (x1)
SP90213

20 { 90166/55+SP90251/120 (650-700)
90166/55+SP90251/150 (500)

08 { SP90434 (700)
SP90434/650 (650)
SP90434/500 (500)

03-SP90238
15-SP90213
09-SP90223

19 { SP90251/120 (650-700)
SP90251/150 (500)

10-SP90074 (650-700)
21-SP90450 (650-700)

03-SP90238
15-SP90213
09-SP90223

29-SP90250

10-SP90074

22-SP90251F
07-SP90207
04-SP90449/C

(x1) (x1) (x1)
SP90449/C

17 { SP90216/85 (650-700)
SP90216/120 (500)

14 { SP90218/150 (500)
SP90218/120 (650-700)

18 { SP90200/700 (650-700)
SP90200/500 (500)

23 { SP90135/120 (650-700)
SP90135/150 (500)

(x1) (x1)
SP90449/C

03-SP90238
10-SP90074

13-SP90121

05-SP84025

(x1) (x1) (x1)
SP84025

(x1) (x1)
SP90434 (700)
SP90434/650 (650)
SP90434/500 (500)

11-SP07071R
10-SP90074
12-SP90448

04-SP90449/C

26-SP03032

03-SP90238
24-SP90039
03-SP90238

10-SP90074
10-SP90074

03-SP90238
07-SP90207

06-SP90090

27-SP90119

03-SP90238
03-SP90238
03-SP90238

03-SP90238
10-SP90074

08 { SP90434 (700)
SP90434/650 (650)
SP90434/500 (500)

02-SP90120

28 { SP90232/120 (650-700)
SP90232/150 (500)

SP90121 (x1)
SP90120 (x1)
25-90102R (x2)

03-SP90238
09-SP90223

(VITI e DADI PER MONTANTE)
(SCREWS AND NUTS FOR UPRIGHT)
SP90074

(x8)
SP90090

(VITI e DADI PER TELAIO)
(SCREWS AND NUTS FOR FRAME)
SP90238

SP90207 (x1) (x1)
SP90223 (x1) (x1) (x1) (x1)

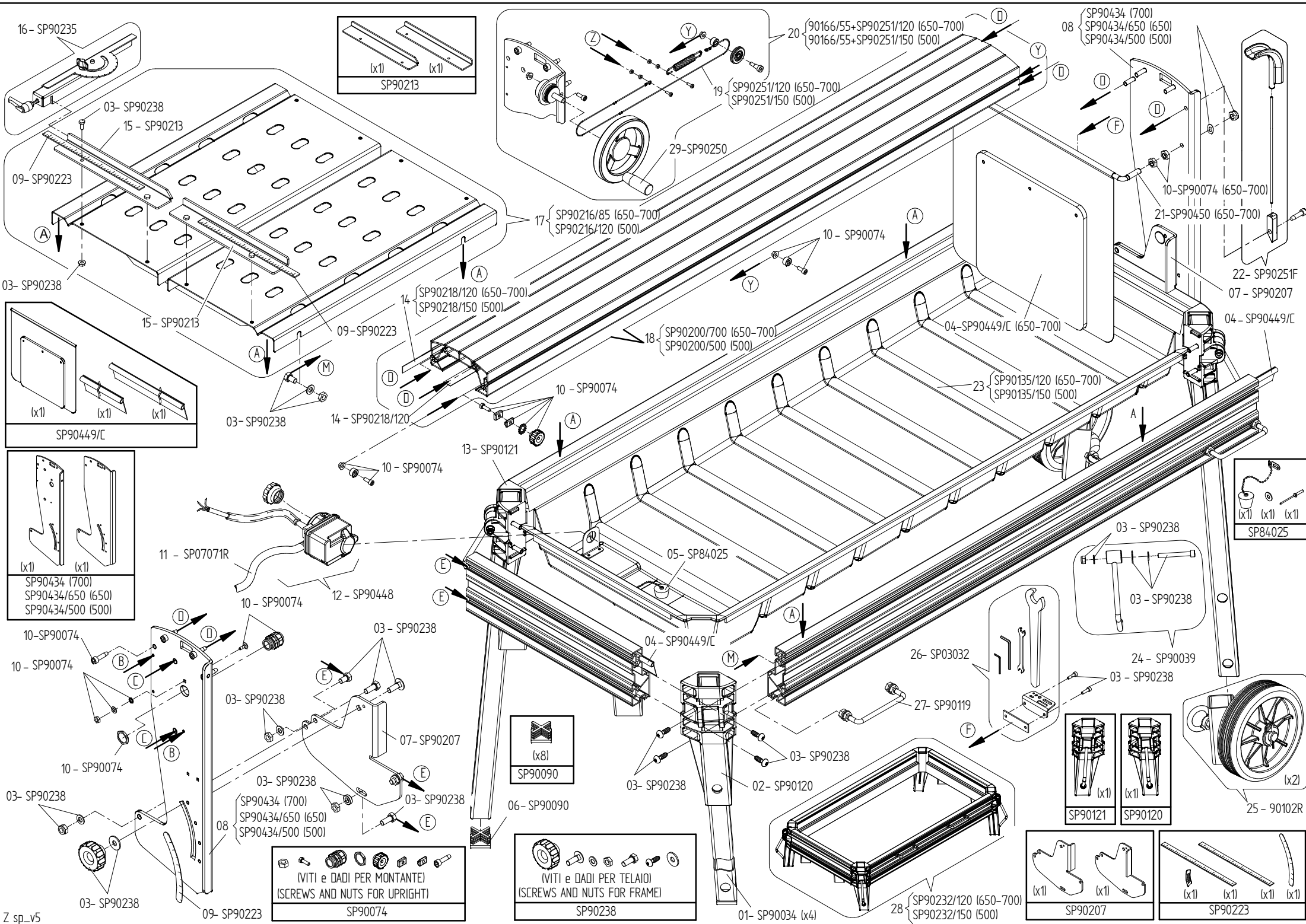
sp_v10

01-SP90034 (x4)

01-SP90034 (x4)

01-SP90034 (x4)

01-SP90034 (x4)



16- SP90235

(x1) (x1)
SP90213

20 { 90166/55+SP90251/120 (650-700)
90166/55+SP90251/150 (500)

08 { SP90434 (700)
SP90434/650 (650)
SP90434/500 (500)

03- SP90238
15 - SP90213

19 { SP90251/120 (650-700)
SP90251/150 (500)

10-SP90074 (650-700)
21-SP90450 (650-700)

09- SP90223

29-SP90250

03- SP90238

15 - SP90213

09- SP90223

14 { SP90218/120 (650-700)
SP90218/150 (500)

10 - SP90074

22- SP90251F
07 - SP90207

(x1) (x1) (x1)
SP90449/C

03- SP90238

14 - SP90218/120

10 - SP90074

04-SP90449/C (650-700)

04 - SP90449/C

(x1) (x1)
SP90434 (700)
SP90434/650 (650)
SP90434/500 (500)

11 - SP07071R

12 - SP90448

13- SP90121

05- SP84025

23 { SP90135/120 (650-700)
SP90135/150 (500)

(x1) (x1) (x1)
SP84025

10-SP90074

10 - SP90074

03 - SP90238

03 - SP90238

10 - SP90074

03 - SP90238

07- SP90207

(x8)
SP90090

26- SP03032

24 - SP90039

10 - SP90074

03 - SP90238

03 - SP90238

03 - SP90238

27- SP90119

SP90121 (x1)

SP90120 (x1)

25 - 90102R (x2)

03- SP90238

08 { SP90434 (700)
SP90434/650 (650)
SP90434/500 (500)

03 - SP90238

02- SP90120

(x1) (x1) (x1) (x1)
SP90238

28 { SP90232/120 (650-700)
SP90232/150 (500)

(x1) (x1)
SP90207

(x1) (x1) (x1) (x1)
SP90223

03- SP90238
09- SP90223
SP90074
(VITI e DADI PER MONTANTE)
(SCREWS AND NUTS FOR UPRIGHT)

01- SP90034 (x4)
SP90238
(VITI e DADI PER TELAIO)
(SCREWS AND NUTS FOR FRAME)

28 { SP90232/120 (650-700)
SP90232/150 (500)

17 { SP90404 (650-700)
SP90309/500 (500)

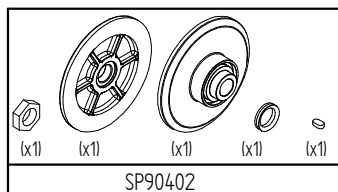
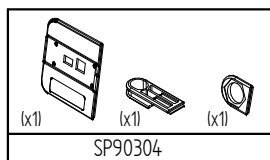
01 - SP90063

15 - SP90442

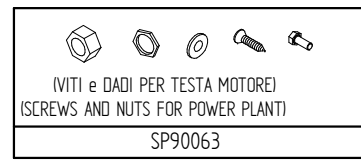
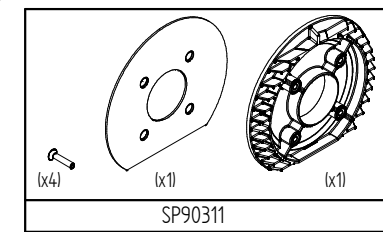
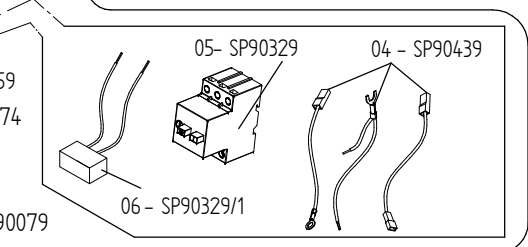
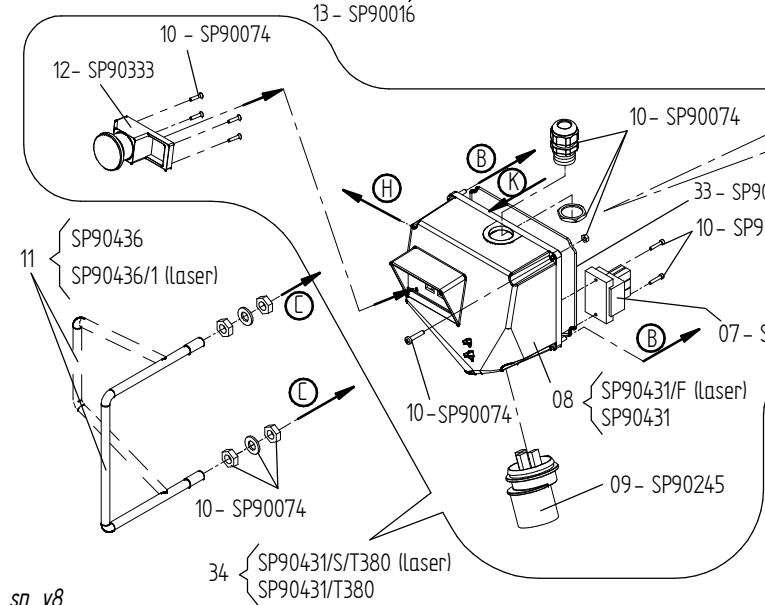
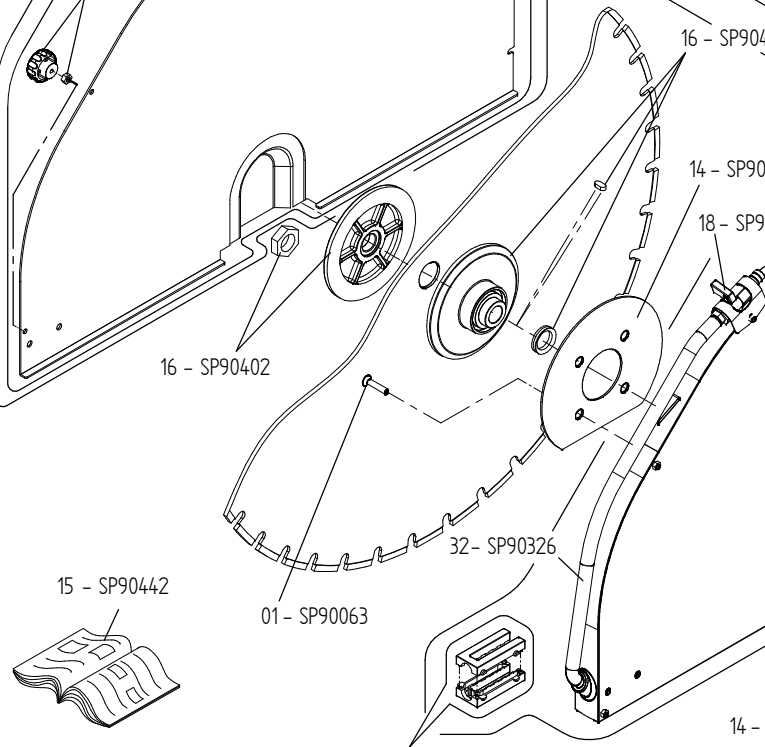
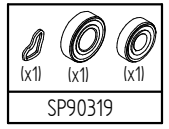
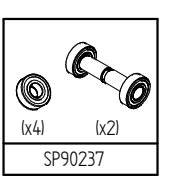
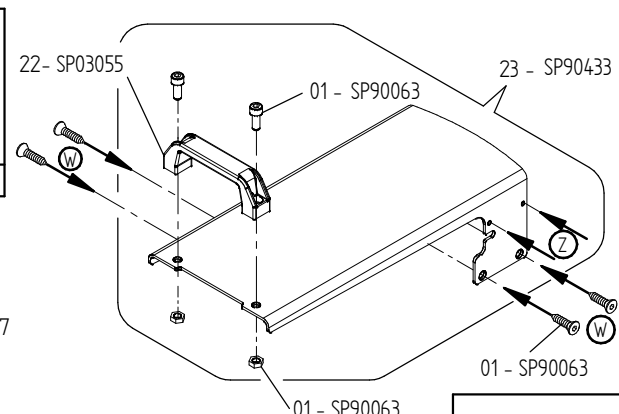
10 - SP90074

11 { SP90436
SP90436/1 (Laser)

sp_v8



19 { SP90445 (650/700)
SP95103/500 (500)



21 - SP90237

01 - SP90063

01 - SP90063

21 - SP90237

01 - SP90063

01 - SP90063

26 - SP90304

01 - SP90063

33 - SP90059

01 - SP90063

27 - SP90432

01 - SP90063

36 - SP90319

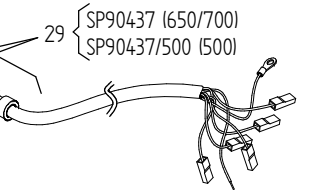
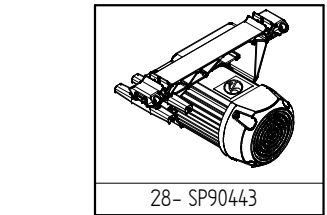
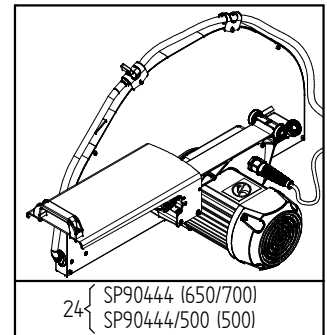
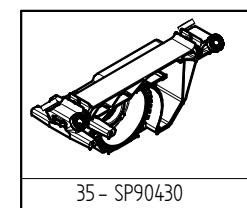
03 - SP96098

30 - SP90423

31 - SP96056

02 - SP90306

01 - SP90063



25 - SP90079

01 - SP90063

01 - SP90063

01 - SP90063

01 - SP90063

01 - SP90063

01 - SP90063

01 - SP90063

01 - SP90063

01 - SP90063

01 - SP90063

01 - SP90063

01 - SP90063

01 - SP90063

01 - SP90063

01 - SP90063

01 - SP90063

24 { SP90444 (650/700)
SP90444/500 (500)

28 - SP90443

29 { SP90437 (650/700)
SP90437/500 (500)

31 - SP96056

02 - SP90306

01 - SP90063

01 - SP90063

01 - SP90063

01 - SP90063

01 - SP90063

01 - SP90063

01 - SP90063

01 - SP90063

01 - SP90063

01 - SP90063

01 - SP90063

01 - SP90063

01 - SP90063

