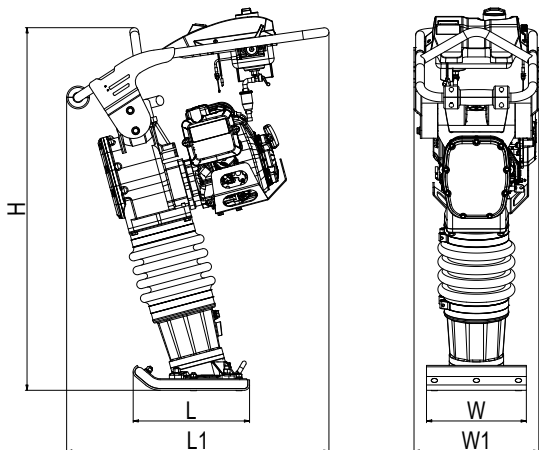


SPARK SERIES

POWERFUL JUMPERS

So far unsurpassed manual compaction machines of small dimensions, which, thanks to the high compacting force, are able to affect the material at great depth.





TYPE	Machine dimensions (mm)				
	H	L	L1	W	W1
NT 72P	1060	340	790	285	355

FEATURES

- Central lifting eye
- Handling wheels and handling handle
- Trottle lever
- High quality bellows
- Air prefilter

TECHNICAL PARAMETERS

OPERATIONAL PARAMETERS

Operational weight	[kg]	72
Shoe dimensions (W x L)	[mm]	285 x 300
Compacting force	[kN]	17
Frequency	[Hz]	650
Amplitude	[mm]	60
Additional air filter	[-]	Yes

ENGINE

Maker and type	Honda	GX 120
Fuel	[-]	Petrol
Net power (3600 r./min)	[kW]	2,7
Emission class	[-]	EU Stage V

OPERATIONAL FLUIDS

Fuel tank capacity (petrol)	[l]	2,8
Engine oil capacity (10W30)	[l]	0,4
Gearbox oil capacity (10W30)	[l]	1,2

HYGIENE PARAMETERS

Noise level $L_{pA,d}$	[dB]	95+2
Noise level $L_{WA,G}$	[dB]	109
Vibration a_{hvd}	[m/s^2]	11,3+4,5

OPTIONAL ACCESSORIES