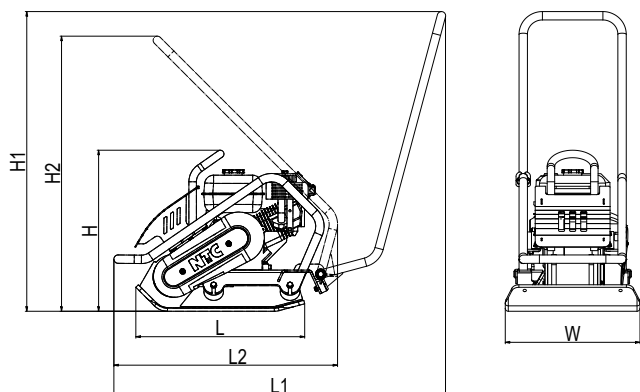


PRACTIC SERIES

THE CLEAR CHOICE FOR THE MOST DEMANDING

These forward vibratory plates respond to requirements of variability and offer a huge range of variations while maintain the highest quality of processing and work performance.





TYP	Machine dimensions (mm)						
VD 18PB	H	H1	H2	L	L1	L2	W
	535	1000	920	565	1110	920	450

TECHNICAL PARAMETERS

OPERATIONAL PARAMETERS

Operational weight	[kg]	95
Plate dimensions (W x L)	[mm]	450 x 565
Centrifugal force	[kN]	18
Frequency	[Hz]	100
Maximal speed	[m/min]	25

ENGINE

Maker and type	B&S	XR 750
Fuel	[-]	Petrol
Net power (3600 r./min)	[kW]	3,67
Emission class	[-]	EU Stage V

OPERATIONAL FLUIDS

Fuel tank capacity (petrol)	[l]	3,2
Engine oil capacity (10W30)	[l]	0,6
Exciter oil capacity (10W30)	[l]	0,07

HYGIENE PARAMETERS

Noise level $L_{pA,d}$	[dB]	92+4
Noise level $L_{wA,g}$	[dB]	105
Vibration a_{hvd}	[m/s ²]	8,8+3,6

FEATURES

- Frame design
- Folding handle
- Central lifting eye
- Two-staged vibration reduction
- Handling points on all sides of the machine
- Rounded edges of the plate

OPTIONAL ACCESSORIES

- Sprinkling kit (capacity of the tank 12 l)
- Soft pad for pavement compaction
- Wheel kit for easy handling
- Hour counter
- Trottle lever on the handle