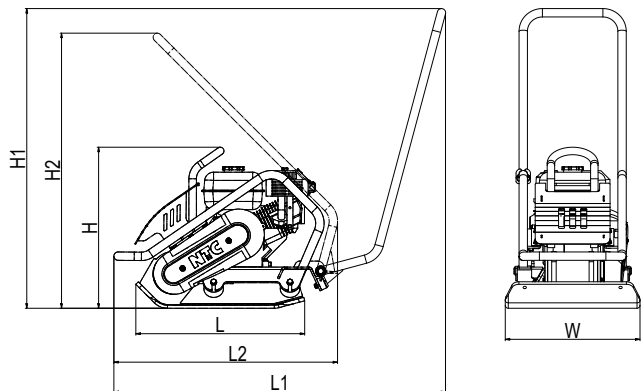


PRACTIC SERIES

THE CLEAR CHOICE FOR THE MOST DEMANDING

These forward vibratory plates respond to requirements of variability and offer a huge range of variations while maintain the highest quality of processing and work performance.





TYP	Machine dimensions (mm)						
VD 20P	H	H1	H2	L	L1	L2	W
	535	1005	925	565	1115	920	500

FEATURES
Frame design
Folding handle
Central lifting eye
Two-staged vibration reduction
Handling points on all sides of the machine
Rounded edges of the plate

TECHNICAL PARAMETERS

OPERATIONAL PARAMETERS		
Operational weight	[kg]	105
Plate dimensions (W x L)	[mm]	500 x 565
Centrifugal force	[kN]	20
Frequency	[Hz]	100
Maximal speed	[m/min]	25

ENGINE		
Maker and type	Honda	GX 160
Fuel	[-]	Petrol
Net power (3600 r./min)	[kW]	3,6
Emission class	[-]	EU Stage V

OPERATIONAL FLUIDS		
Fuel tank capacity (petrol)	[l]	3,1
Engine oil capacity (10W30)	[l]	0,6
Exciter oil capacity (10W30)	[l]	0,07

HYGIENE PARAMETERS		
Noise level L _{pA,d}	[dB]	91,5+2,5
Noise level L _{WA,G}	[dB]	105
Vibration a _{hvd}	[m/s ²]	8,2+3,3

OPTIONAL ACCESSORIES	
Sprinkling kit (capacity of the tank 12 l)	<input type="checkbox"/>
Soft pad for pavement compaction	<input type="checkbox"/>
Wheel kit for easy handling	<input type="checkbox"/>
Hour counter	<input type="checkbox"/>
Trottle lever on the handle	<input type="checkbox"/>