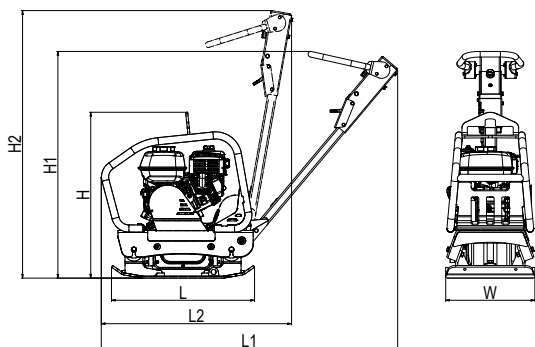


RANGE SERIES

LIGHTWEIGHT PLATES UP TO 200 KG

Designed to provide high handling comfort with high performance. Thanks to it these machines cover the widest range of service and maintenance work and small-scale work.





TYPE	Machine dimensions (mm)						
	H	H1	H2	L	L1	L2	W
VDR 22	655	990	1090	630	1180	685	400

FEATURES
Frame design
Folding handle
Central lifting eye
Three-staged vibration reduction
Handling points on all sides of the machine
Rounded edges of the plate
Trottle lever on the handle

TECHNICAL PARAMETERS

OPERATIONAL PARAMETERS		
Operational weight	[kg]	120
Plate dimensions (W x L)	[mm]	400 x 630
Centrifugal force	[kN]	22
Frequency	[Hz]	100
Amplitude	[mm]	2
Area performance	[m ² /hod]	576
Climbability	[%]	30
Maximal speed	[m/min]	24

OPTIONAL ACCESSORIES	
Sprinkling kit (capacity of the tank 10 l)	<input type="checkbox"/>
Soft pad for pavement compaction	<input type="checkbox"/>
Wheel kit for easy handling	<input type="checkbox"/>
Hour counter	<input type="checkbox"/>

ENGINE		
Maker and type	Honda	GX 160
Fuel	[-]	Petrol
Net power (3600 r./min)	[kW]	3,6
Emission class	[-]	EU Stage V

OPERATIONAL FLUIDS		
Fuel tank capacity (petrol)	[l]	3,1
Engine oil capacity (10W30)	[l]	0,6
Hydraulic oil capacity (OH-HV 68)	[l]	0,2
Exciter oil capacity (10W30)	[l]	0,4

HYGIENE PARAMETERS		
Noise level L _{pA,d}	[dB]	92+4
Noise level L _{WA,G}	[dB]	105
Vibration a _{hvd}	[m/s ²]	13,9+5,5