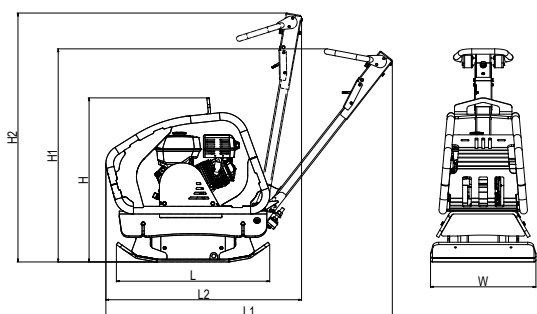


# PRIM SERIES

MIDWEIGHT PLATES 200 - 300 KG

Our midweight reversible vibratory plates stands for the most useful machine for medium-scale construction work in our product range. Suitable for conditions where light machines are not powerful enough, but heavy machines would not use all their entire potential.





TYPE	Machine dimensions (mm)						
	H	H1	H2	L	L1	L2	W
VDR 32	710	1040	1130	750	1300	800	500

FEATURES
Frame design
Folding handle
Central lifting eye
Three-staged vibration reduction
Handling points on all sides of the machine
Rounded edges of the plate
Trottle lever on the handle

## TECHNICAL PARAMETERS

OPERATIONAL PARAMETERS		
Operational weight	[kg]	210
Plate dimensions (W x L)	[mm]	500 x 750
Centrifugal force	[kN]	32
Frequency	[Hz]	90
Amplitude	[mm]	2
Climbability	[%]	30
Area performance	[m <sup>2</sup> /h]	660
Maximal speed	[m/min]	22

OPTIONAL ACCESSORIES	
Sprinkling kit (capacity of the tank 10 l)	<input type="checkbox"/>
Soft pad for pavement compaction	<input type="checkbox"/>
Wheel kit for easy handling	<input type="checkbox"/>
Hour counter	<input type="checkbox"/>

ENGINE		
Maker and type	Honda	GX 200
Fuel	[-]	Petrol
Net power ( 3600 r./min )	[kW]	4,1
Emission class	[-]	EU Stage V

OPERATIONAL FLUIDS		
Fuel tank capacity (petrol)	[l]	3,1
Engine oil capacity (10W30)	[l]	0,6
Hydraulic oil capacity (OH-HV 68)	[l]	0,2
Exciter oil capacity (10W30)	[l]	0,4

HYGIENE PARAMETERS		
Noise level L <sub>pA,d</sub>	[dB]	87+3
Noise level L <sub>WA,G</sub>	[dB]	105
Vibration a <sub>hvd</sub>	[m/s <sup>2</sup> ]	8,6+3,5