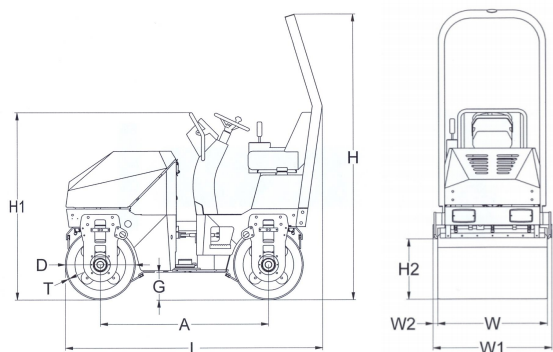


SHIELD SERIES

FOR LONG-LASTING RESULTS

These tandem vibratory rollers were developed for a protection of created legacy and its sustainability as they are primarily intended for the service and maintenance segment.





TYPE	Machine dimensions (mm)					
	H	H1	L	A	D	T
VT 100H	2370	1560	2140	1400	580	95
	G	H2	W	W1	W2	
	220	490	1000	1090	45	

TECHNICAL PARAMETERS

OPERATIONAL PARAMETERS

Operational weight	[kg]	1460
Drums width	[mm]	1000
Drums diameter	[mm]	580
Centrifugal force	[kN]	2x16
Frequency	[Hz]	60
Amplitude	[mm]	0,5
Max. speed forward	[km/h]	0-10
Max. speed backward	[km/h]	0-10
Area performance	[m ² /h]	10 000
Climbability	[%]	20
Turning radius	[m]	1830
Drum overlap left, right	[mm]	45; 45
Electric start	[-]	Yes

ENGINE

Maker and type	Hatz	2 G 40
Fuel	[-]	Diesel
Net power (3600 r./min)	[kW]	15,4
Cooling	[-]	Air
Emission class	[-]	EU Stage V

TECHNICAL PARAMETERS

OPERATIONAL FLUIDS

Water tank capacity	[l]	100
Fuel tank capacity	[l]	32
Engine oil capacity (10W/30)	[l]	3
Hydraulic oil capacity (OH-HV 46)	[l]	34

HYGIENE PARAMETERS

Noise level L _{pA,d}	[dB]	90+4
Noise level L _{WA,G}	[dB]	106
Vibration a _{vd}	[m/s ²]	0,7+0,35
Vibration a _{hvd}	[m/s ²]	6,2+2,5

FEATURES

- Two exciters
- Sprinkling system
- Anchoir points
- Work lights

OPTIONAL ACCESSORIES

Canopy (rain roof)	<input type="checkbox"/>
Safety beacon	<input type="checkbox"/>
Seversing alarm	<input type="checkbox"/>
Box for documents	<input type="checkbox"/>
Rear drum vibration ON/OFF switch at the control panel	<input type="checkbox"/>
Flash lights (front, back, beacon)	<input type="checkbox"/>